

ECOWATER
SYSTEMS®



Your Water. Perfected.

Let us

Perfect

your water and

Maximize

your peace of mind.

100, 200 & 300

ECOWATER COMPACT SERIES WATER CONDITIONERS

The Latest Technology for Water Treatment

- 1 HydroLink Plus® Wi-Fi and Smartphone App Monitoring**
HydroLink Plus® – Wi-Fi enabled technology sends continuous and excessive water use, system error, low salt and service reminder alerts, including a water-to-drain sensing alert notifying you when an excessive amount of water is going to drain.
Water Meter
Allowing for chemical feed dosing, flow switch operation and water use information.
 - 2 Patented Electronics Digital Demand Module**
Sophisticated, yet easy-to-use electronics capture historical usage patterns to predict future needs for precise regenerations.
 - 3 High Quality Fit and Finish, Models 100 & 200 with Transparent Covers, Model 300 with Dampened Hinge Salt Cover**
 - 4 Multi-Wrap Fiberglass Reinforced Resin Tank**
Durable tank liner will not deteriorate, rust, or corrode.
 - 5 Full One-Inch Riser with Self-Cleaning Distributors**
One-inch diameter for increased flow rates, which ensures that household demand is adequately met. Distributors exhibit excellent flow rates and are cleaned automatically by counter-current water pressure.
 - 6 Patented Stratified Resin Bed**
Layered mix of fine and standard size resin provides superior filtration and iron removal without sacrificing flow rate capability.
 - 7 Washed Quartz Underbedding**
Helps provide a cleaner, more thorough regeneration of the resin.
 - 8 Positive-Action Brine Valve**
Snap-together construction eliminates use of solvents that may contaminate water. Positive action helps prevent overfilling.
- Automatic Salt-Level Detection and Tank Light**
Simply add salt, no salt level setting required. Our integrated sensor will detect the salt level and alert you when the salt level is low.



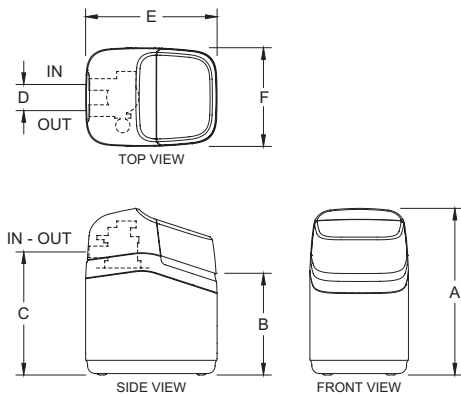
 Designed, Engineered & Assembled in the U.S.A.

ecowater.com

100, 200 & 300

ECOWATER COMPACT SERIES WATER CONDITIONERS

DIMENSIONS



	100 Compact	200 Compact	300 Boost
Nominal Resin Tank Size	9" Dia. 14"	8" Dia. x 19"	8" Dia. x 25"
A	21 ³ / ₄ "	26 ⁵ / ₈ "	34 ¹ / ₂ "
B	13 ⁵ / ₈ "	18 ¹ / ₂ "	24"
C	16 ¹ / ₈ "	21"	27 ³ / ₄ "
D	3 ³ / ₈ "	3 ³ / ₈ "	3 ³ / ₄ "
E	17"	17"	20"
F	12 ³ / ₄ "	12 ³ / ₄ "	12 ³ / ₄ "

SPECIFICATIONS

	100 Compact	200 Compact	300 Boost
Efficiency (gr./lb. @ min. lb. salt dose)	3,850 @ 0.9	3,760 @ 1.0	3,970 @ 1.5
Hardness Capacity (gr. @ max. lb. salt dose)	6,790 @ 3.8	9,670 @ 5.8	14,900 @ 8.3
Certified Flow Rate (gpm @ psi)	4 @ 6.8	4 @ 10.6	6 @ 5.0
Intermittent Flow Rate (gpm @ psi) ¹	6.2 @ 15	4.8 @ 15	11 @ 15
Resin Bed (lbs.)	16	19	27
Maximum Water Hardness (grains per gallon)	16	18	29
Maximum Clear Water Iron (ppm-Fe) ²	1	2	4
Approximate Water Used Each Regeneration (gal.) ³	14	14	17
Salt Storage Capacity (lbs.)	42	42	55
Supply Water Pressure Limits (psi) ⁴	20-125	20-125	20-125
Supply Water Temperature Limits (°F/°C)	40-120 / 4-49	40-120 / 4-49	40-120 / 4-49
Ambient Temperature Range (°F/°C)	35-150 / 2-66	35-150 / 2-66	35-150 / 2-66
Plumbing Connection (inches)	³ / ₄	³ / ₄	1

Electrical Requirement, 120V, 50/60Hz

¹Intermittent flow rate does not represent the maximum service flow rate used for determining the conditioner's rated capacity and efficiency. Continuous operation at flow rates greater than the certified flow rate may affect capacity and efficiency performance. The validity of these flow rates is verified by NSF. ²Increased amounts of clear water iron can reduce conditioner's efficiency. Refer to owner's manual for details. Wisconsin requires additional treatment if water supply contains greater than 5 ppm clear water iron. ³When operated at 35 psi water pressure. ⁴Maximum pressure for Canadian use is 7.0 Kg/cm².

Not available for sale in California.

WARRANTY

- For the lifetime of the original owner, the salt tank and mineral tank will not rust, corrode, leak, burst, or in any other manner fail to perform their proper functions.
- For a period of ten years, the valve body will be free of defects in materials and workmanship and will perform its proper function.
- For a period of seven years, the electronic faceplate will be free of defects in materials and workmanship and will perform its normal functions.
- For a period of five years, all other parts will be free of defects in materials and workmanship and will perform their normal functions.

ECOWATER
S Y S T E M S ®



Your Water. Perfected.



EcoWater Systems LLC
P.O. Box 64420
St. Paul, MN 55164-0420



EcoWater Canada Ltd.
5240 Bradco Blvd.
Mississauga, Ontario
Canada L4W 1G7